

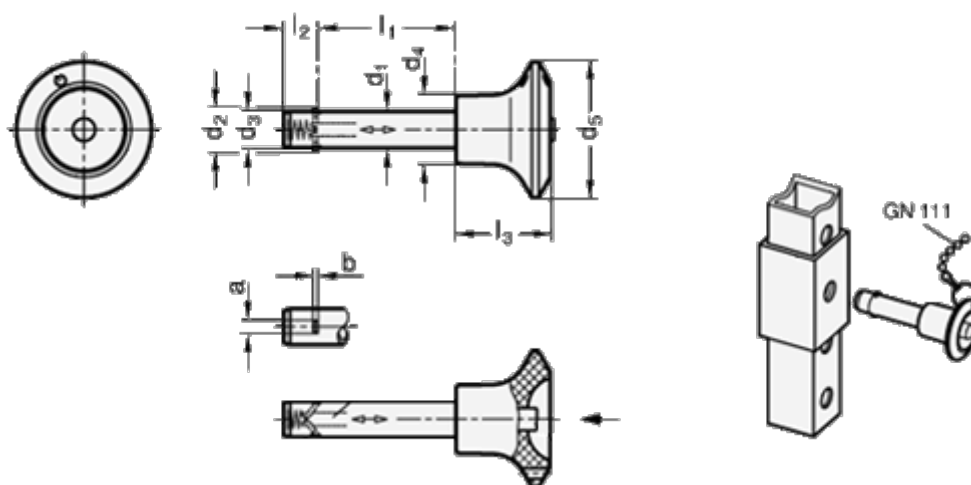
# Data Sheet



Article number: 2011461260

Description: E+G Stainless steel lock pin  
GN 114.6-12-60

## Measures



|           |                    |
|-----------|--------------------|
| a = 61.0  | l3 = 26            |
| d1 = 12   | Resilience (N) = 4 |
| d2 = 14.8 |                    |
| d3 = 11.9 |                    |
| d4 = 18.0 |                    |
| d5 = 34   |                    |
| l1 = 60   |                    |
| l2 = 11.3 |                    |